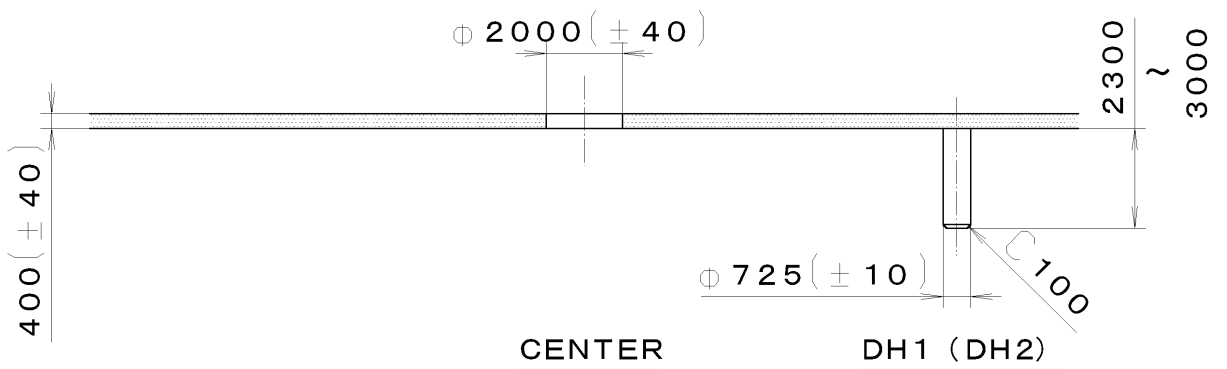
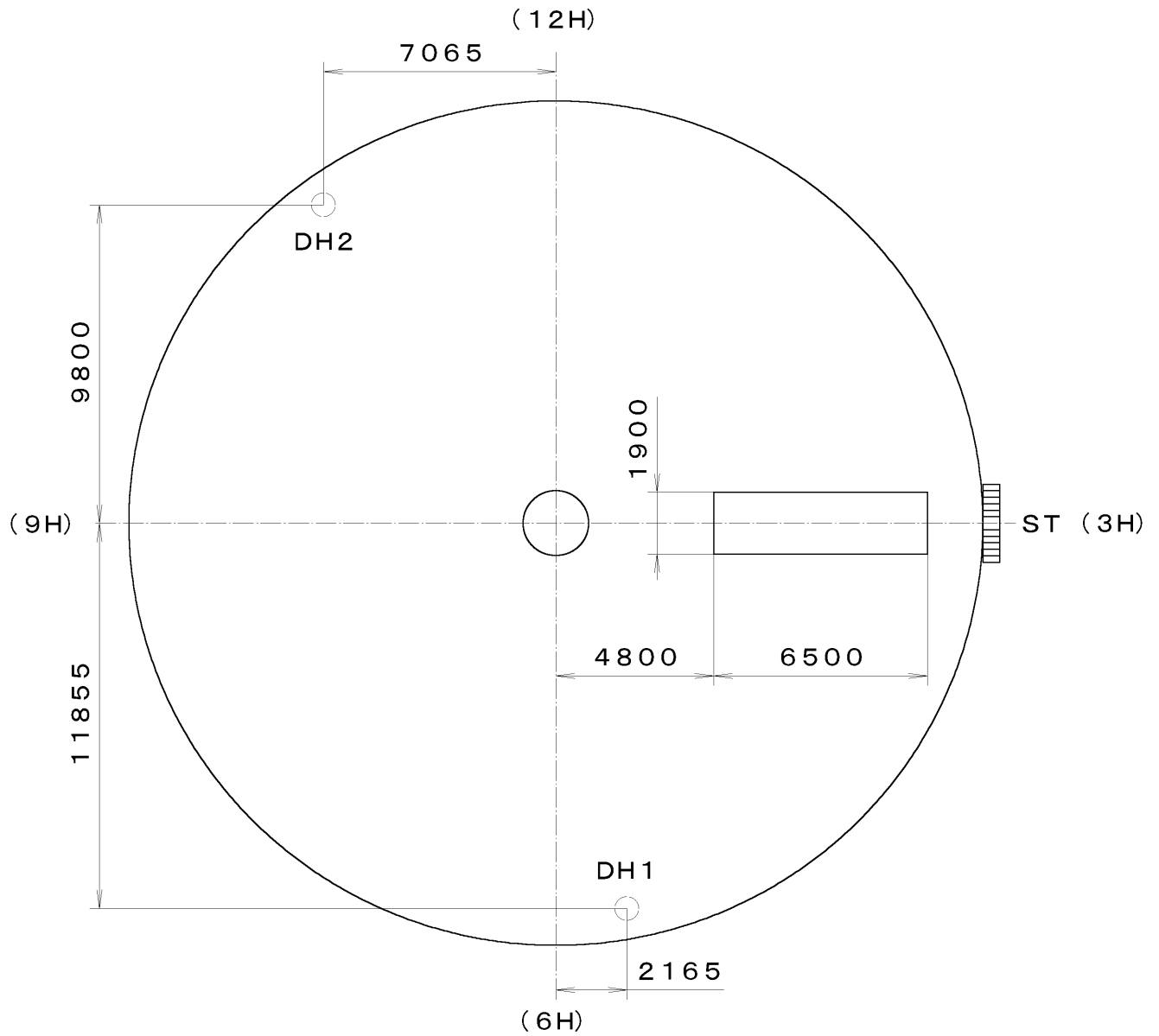


This drawing is provisional and subject to our reconfirmation and/or revision without notice.

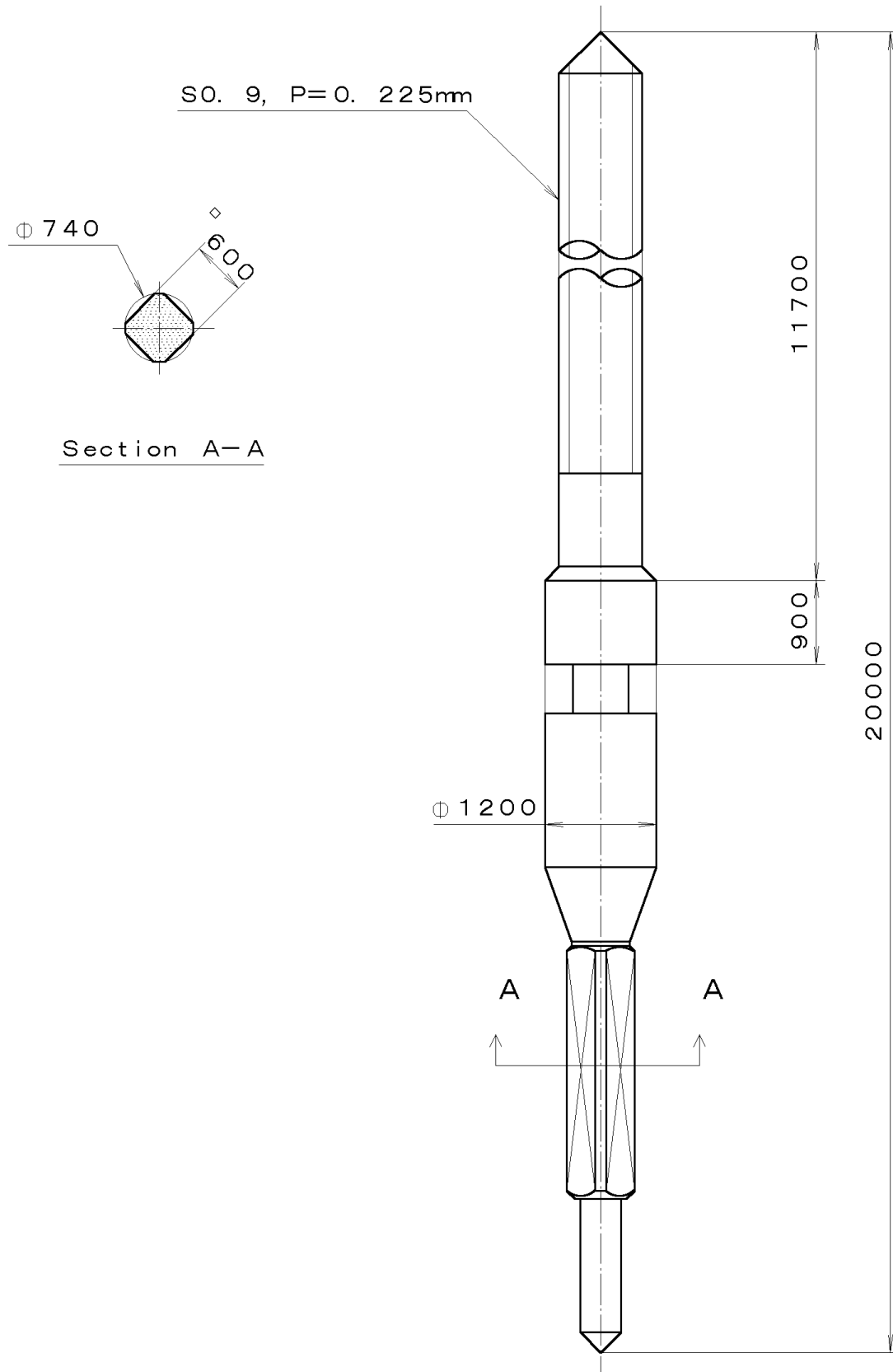
*** T I P W 8205-AEB (01) *** (2100 1121) 02-03-11



7			Quantity		Cal. No. : 8205-AEB
6			Unit	1/1000 mm	
5			Scale	5:1	Parts:
4			Date		
3			Drawn		
2			Checked	T. Hiruta	Name: Indications for Dial
1			Approved		Drawing No. : 8205D001
Material					
Heat Treatment			General Tolerances		MIYOTA
Hardness			Dimensions		
Plating			Angles		

This drawing is provisional and subject to our reconfirmation and/or revision without notice.

*** T I P W (01) *** (2100 1121) 00-09-18 065-212



7			Quantity		Ca l. No. :
6			Unit	1/1000 mm	
5			Scale	15:1	Parts:
4			Date		065-212
3			Drawn		
2			Checked	T. Hiruta	Name:
1			Approved		SETTING STEM
Material					Drawing No. : 2120S000
Heat Treatment			General Tolerances		MIYOTA
Hardness			Dimensions		
Plating			Angles		