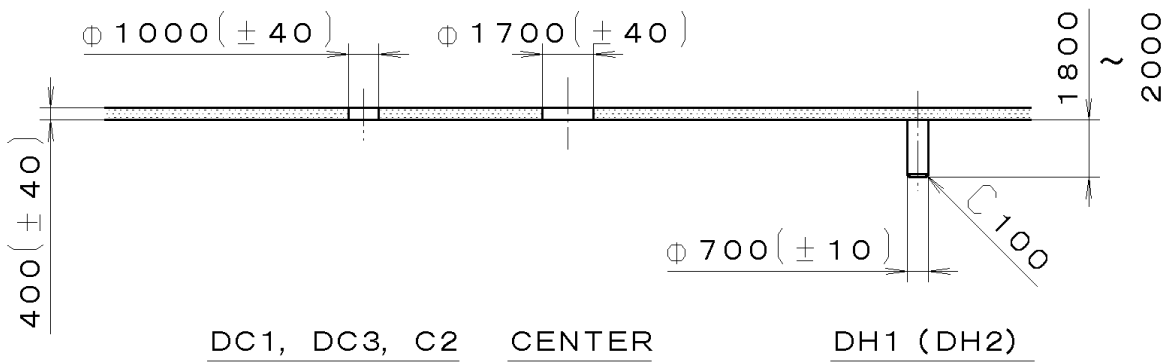
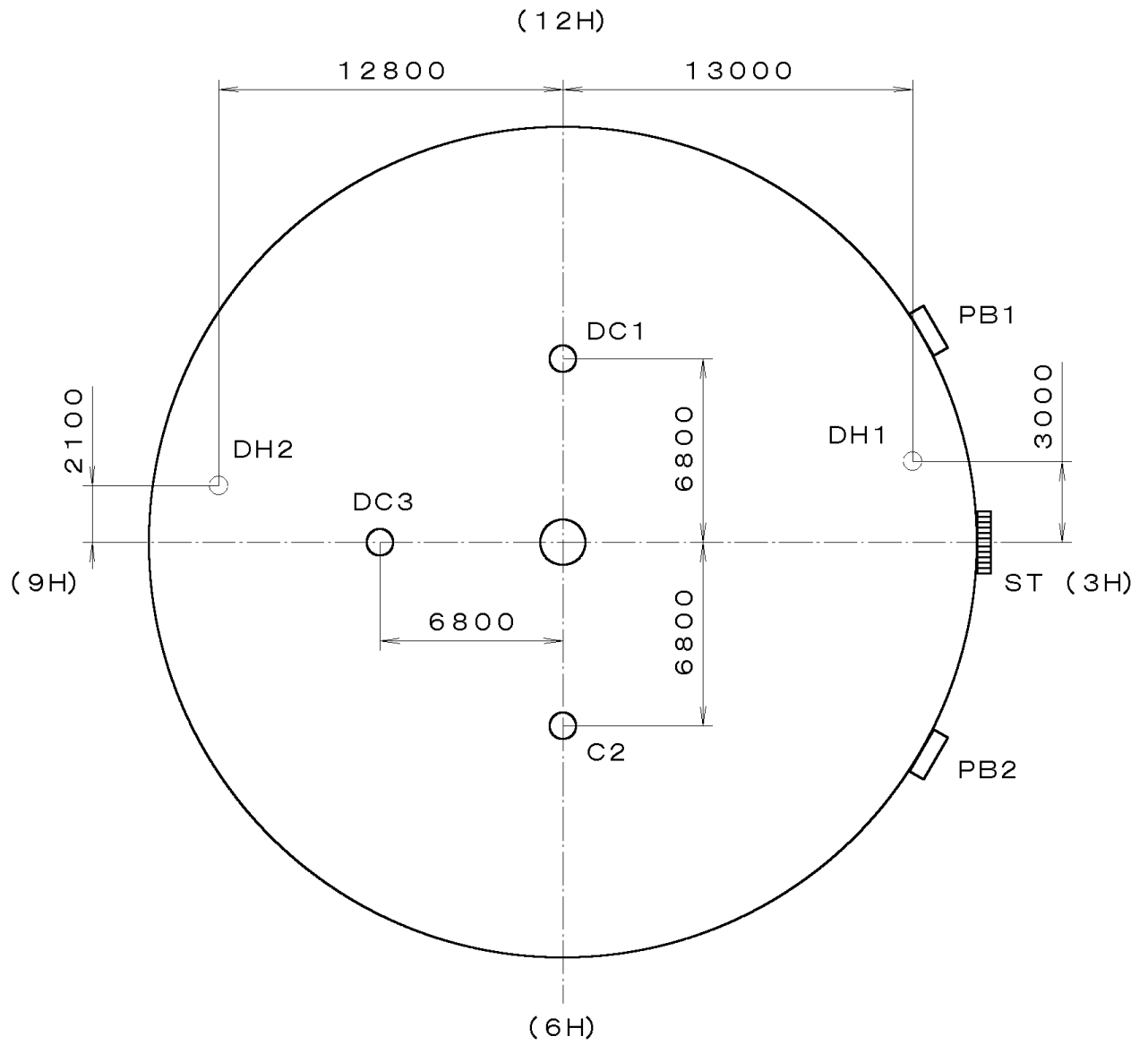




This drawing is provisional and subject to our reconfirmation and/or revision without notice.



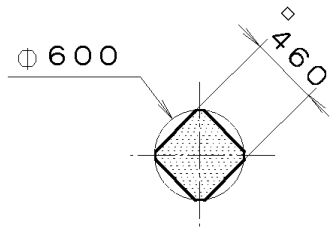
DC1, DC3, C2 CENTER DH1 (DH2)

OS30-00A (01) \*\*\* (2100 1121) 00-07-03

7		Quantity		Ca l. No. :	OS30-00A
6		Unit	1/1000 mm	Parts:	
5		Scale	4:1	Name:	Indications for Dial
4		Date		Drawing No. :	
3		Drawn			
2		Checked	T. Hiruta		
1		Approved			
Material					
Heat Treatment		General Tolerances		<b>MIYOTA</b>	
Hardness		Dimensions			
Plating		Angles			

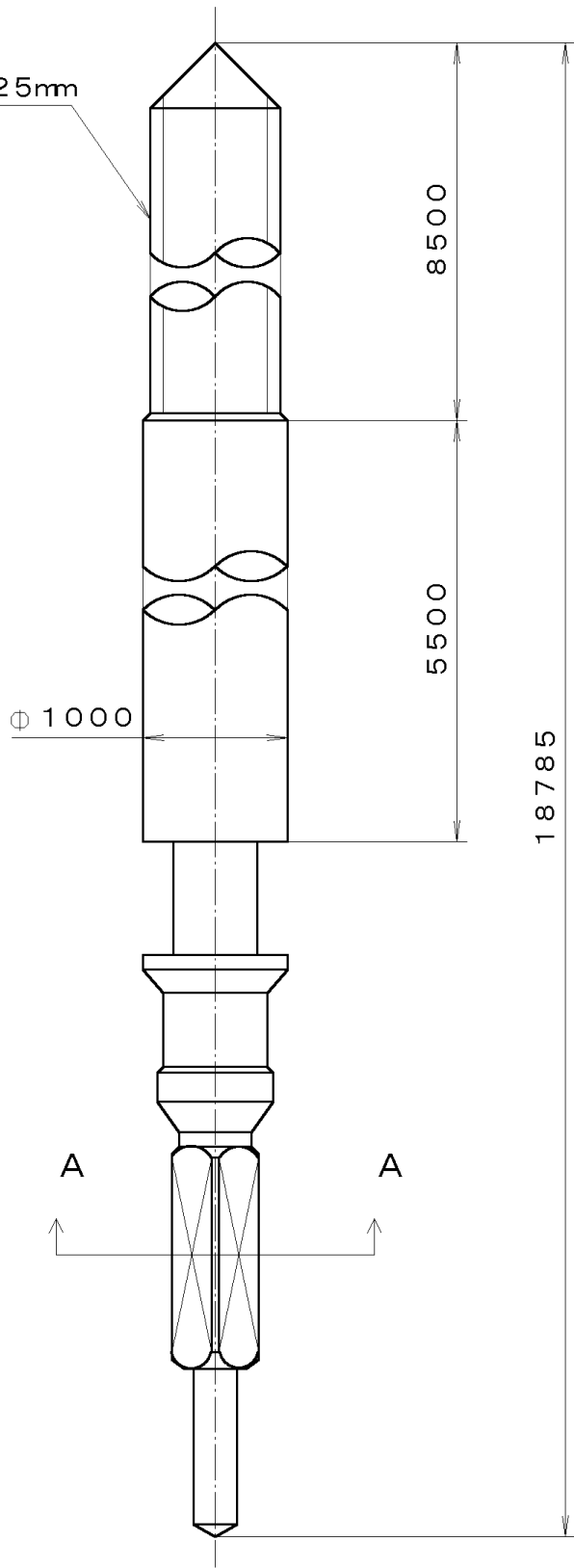
This drawing is provisional and subject to our reconfirmation and/or revision without notice.

\*\*\* T I P W (01) \*\*\* (2100 1121) 00-07-05



Section A-A

S0. 9, P=0. 225mm



7		Quantity		Cal. No. :
6		Unit	1/1000 mm	
5		Scale	20:1	Parts:
4		Date		065-453
3		Drawn		Name:
2		Checked	T. Hiruta	SETTING STEM
1		Approved		Drawing No. : 4530S000
Material				<b>MIYOTA</b>
Heat Treatment		General Tolerances		
Hardness		Dimensions		
Plating		Angles		