

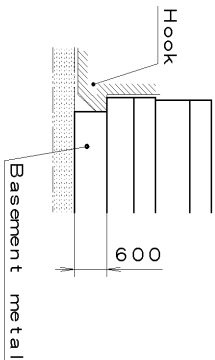
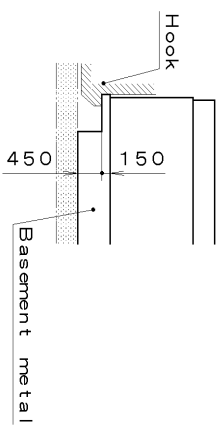
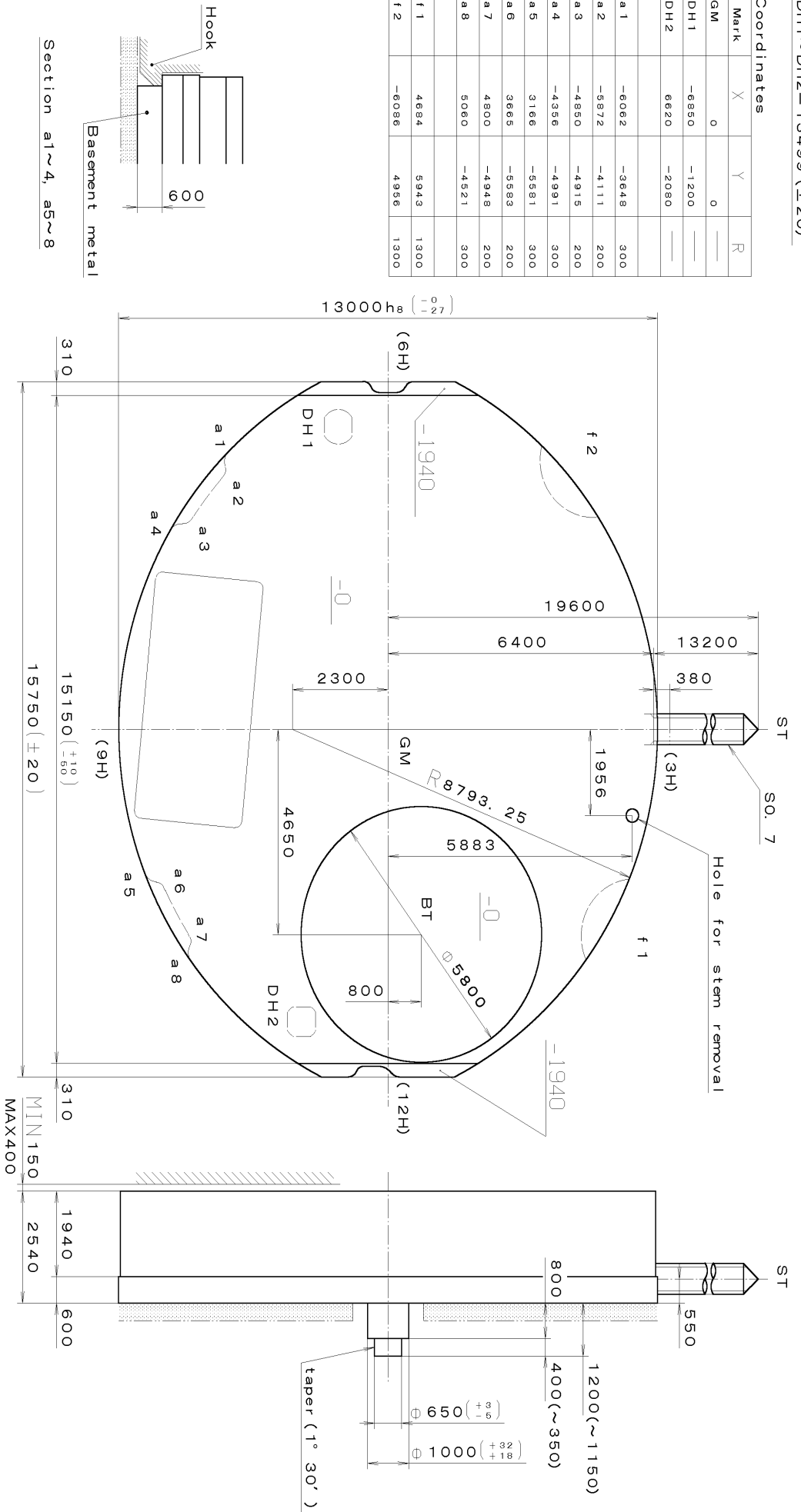
This drawing is provisional and subject to our reconfirmation and/or revision without notice.

*** TIPW 5Y20 (01) *** (2100 1121) 00-06-26

DH1~DH2=13499 (±20)

Coordinates

Mark	X	Y	R
GM	0	0	—
DH1	-6550	-1200	—
DH2	6620	-2080	—
a1	-6062	-3648	300
a2	-5872	-4111	200
a3	-4850	-4915	200
a4	-4356	-4991	300
a5	3166	-5581	300
a6	3665	-5583	200
a7	4500	-4948	200
a8	5060	-4521	300
f1	4684	5943	1300
f2	-6086	4956	1300



Section f1, f2

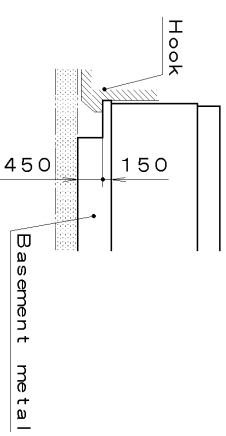
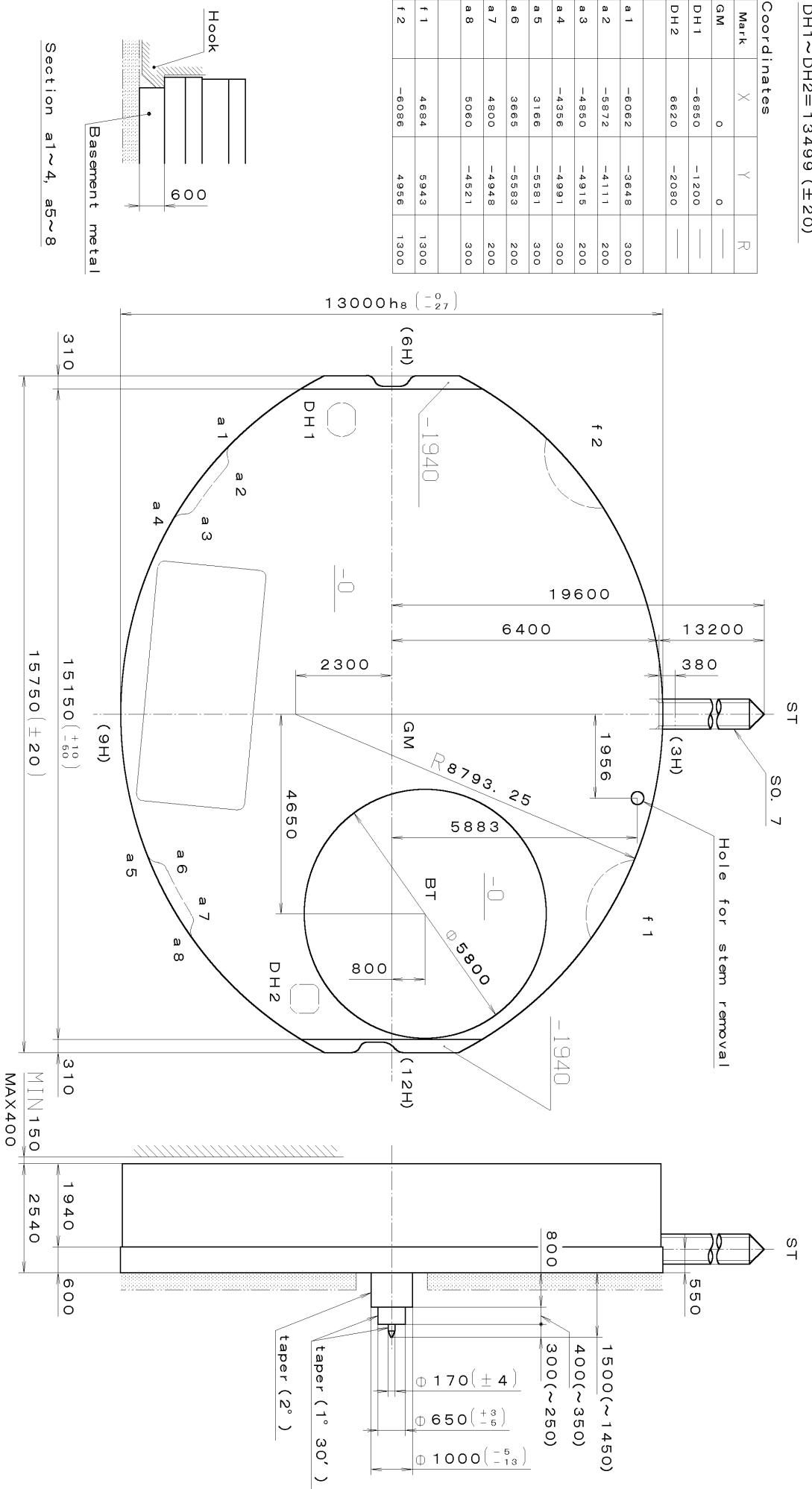
Section a1~4, a5~8

Quantity	Unit	Cal. No. :
1	1/1000 mm	5Y20
Scale	11:1	Parts:
Date		
Drawn		
Checked	T. Hiruta	Name:
Approved		Frame for Case
Material		Drawing No. : 5Y20C0000
Heat Treatment		
Hardness		
Plating		
General Tolerances		
Dimensions		
Angles		

DH1~DH2=13499 (±20)

Coordinates

Mark	X	Y	R
GM	0	0	
DH1	-6850	-1200	
DH2	6820	-2090	
a1	-6062	-3648	300
a2	-5872	-4111	200
a3	-4850	-4915	200
a4	-4956	-4991	300
a5	3166	-5581	300
a6	3665	-5589	200
a7	4800	-4948	200
a8	5060	-4521	300
f1	4684	5943	1300
f2	-6086	4956	1300



Section f1, f2

Quantity	Unit	Quantity	Unit
△	1/1000 mm	△	1/1000 mm
△	11:1	△	11:1
△	Date	△	Date
△	Drawn	△	Drawn
△	Checked	△	Checked
△	Approved	△	Approved
Material		Name: Frame for Case	
Heat Treatment		Drawing No.: 5Y30C0000	
Hardness		General Tolerances	
Plating		Dimensions	
		Angles	

Cal. No.: 5Y30

Parts:

Name: T. Hiruta

Checked

Drawn

Date

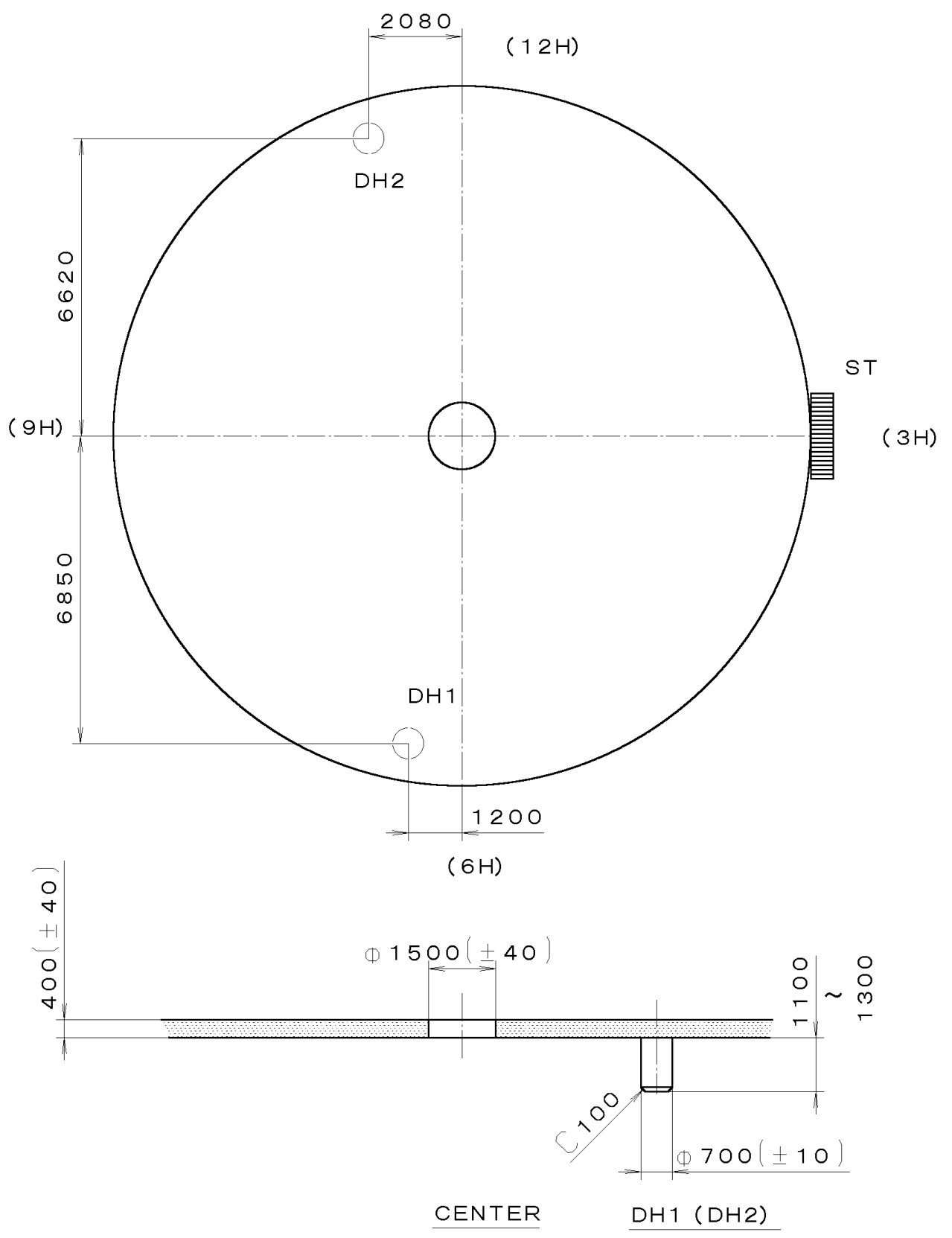
Scale

Unit

Quantity

This drawing is provisional and subject to our reconfirmation and/or revision without notice.

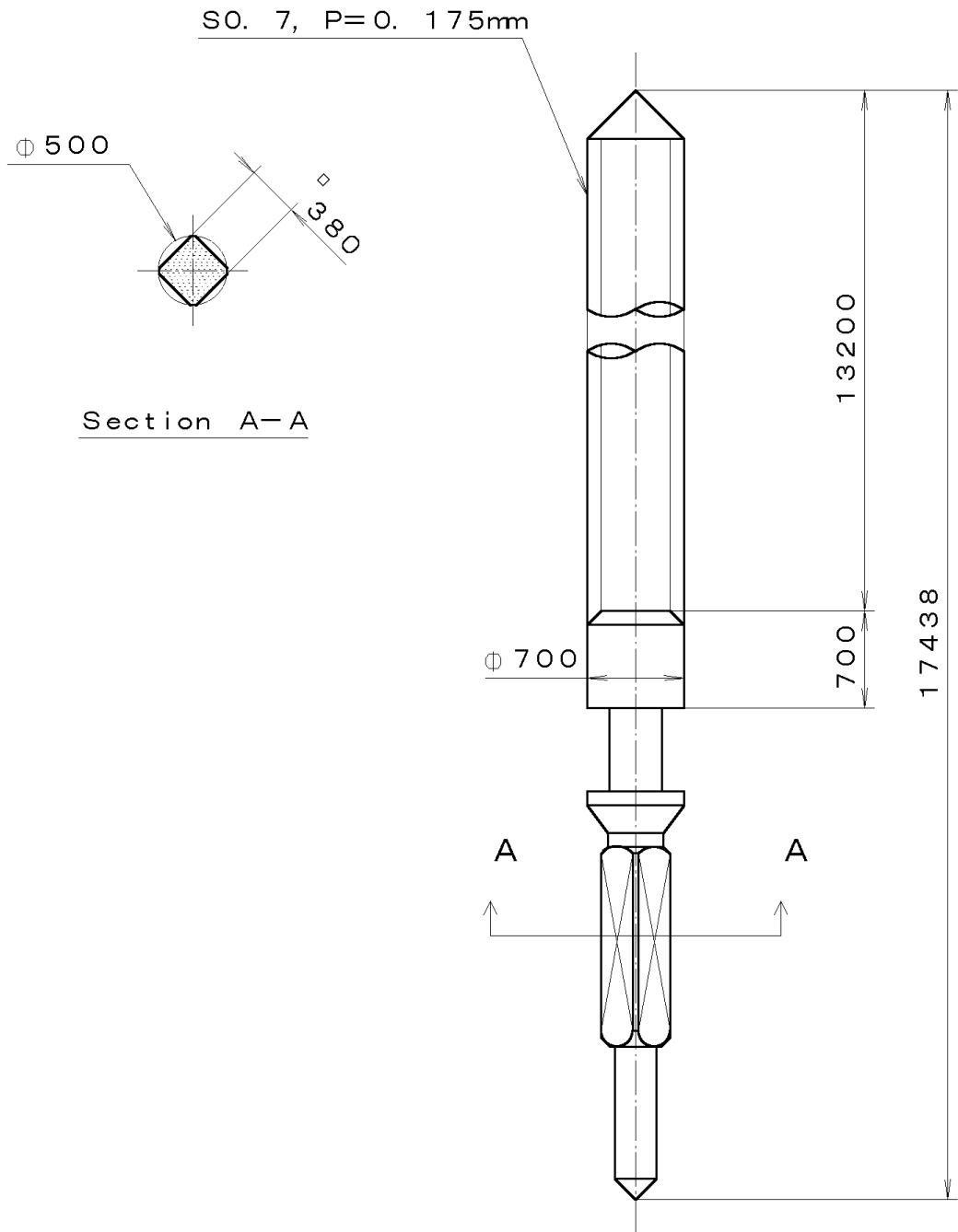
*** T I P W (01) *** (2100 1121) 5Y30-00A *** 00-06-14



7			Quantity		Cal. No. :	5Y30-00A
6			Unit	1/1000 mm	Parts:	
5			Scale	8:1	Name:	Indications for Dial
4			Date		Drawing No. : 5Y30D000	
3			Drawn			
2			Checked	T. Hiruta		
1			Approved			
Material			General Tolerances			
Heat Treatment			Dimensions			
Hardness			Angles			
Plating						

This drawing is provisional and subject to our reconfirmation and/or revision without notice.

*** T I P W (01) *** (2100 1121) 00-06-22



7			Quantity		Cal. No. :
6			Unit	1/1000 mm	Parts:
5			Scale	20:1	
4			Date		065-403
3			Drawn		
2			Checked	T. Hiruta	Name:
1			Approved		SETTING STEM
Material					Drawing No. : 4030S000
Heat Treatment			General Tolerances		
Hardness			Dimensions		
Plating			Angles		