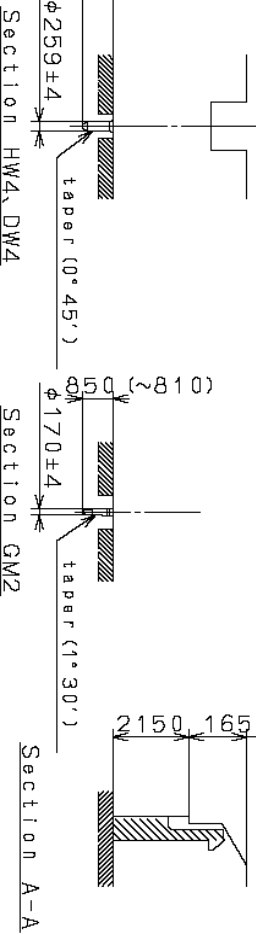
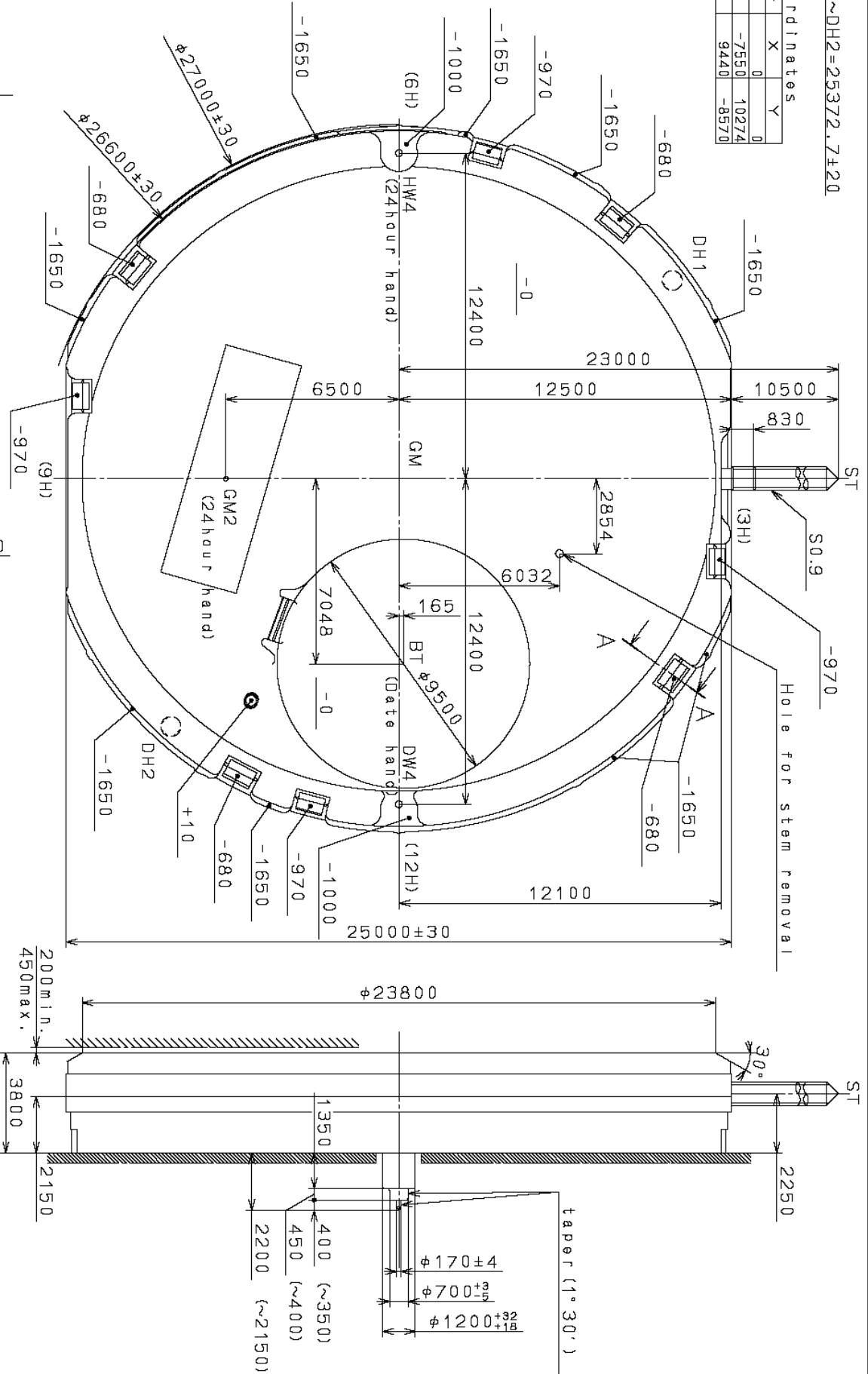


This drawing is provisional and subject to our reconfirmation and/or revision without notice.

Coordinates		
記号	X	Y
GM	0	0
DH1	-7550	10274
DH2	9440	-8570

DH1~DH2=25372.7±20

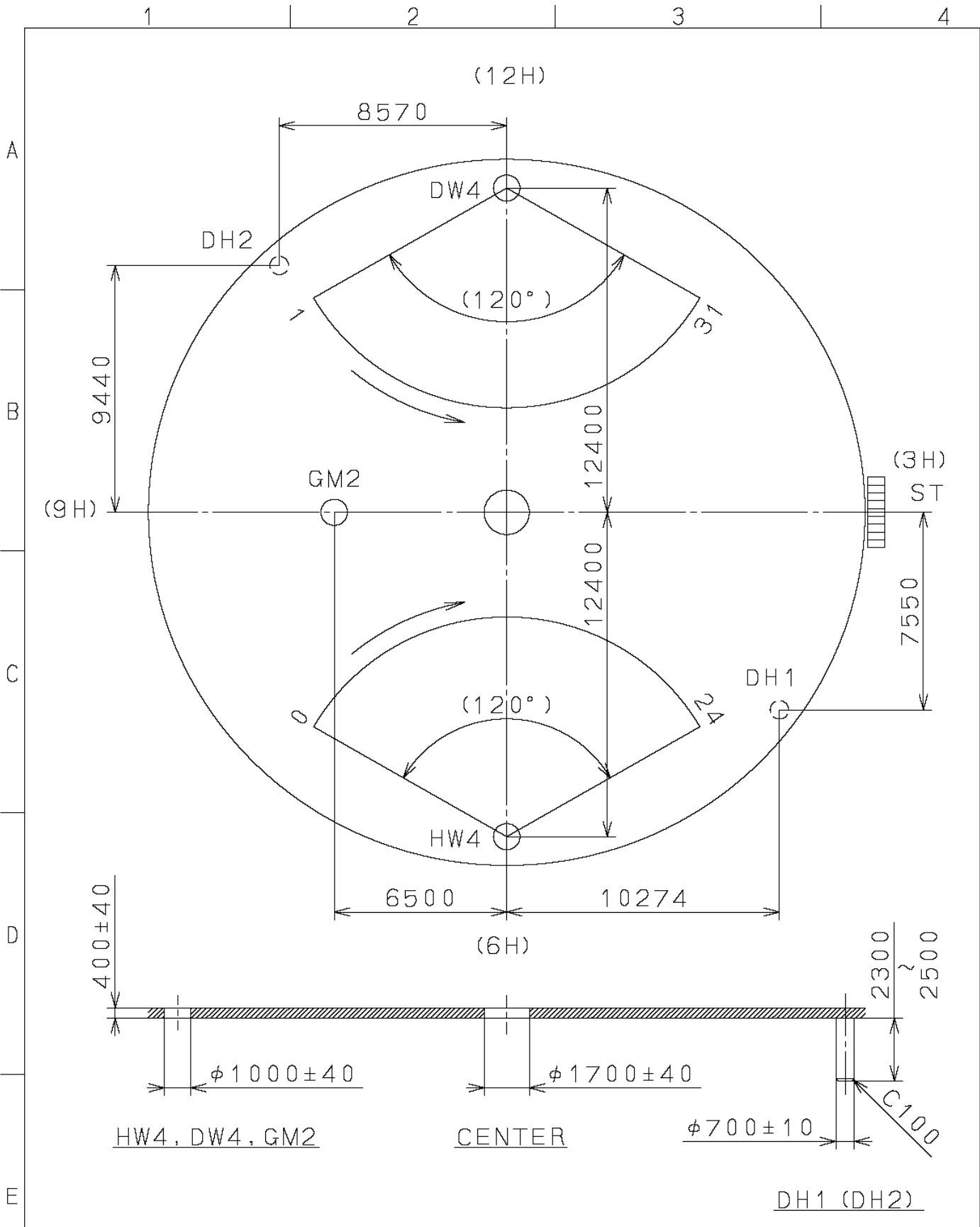


△	Quantity	Cal. NO.:	GP52
△	Unit	Parts No.:	
△	Scale	Name:	Frame for Case
△	Date	Drawing No.:	GP52C0AS
△	Drawn	Name:	
△	Checked	Approved	
△	Mark	Material	
△	Date	Alterations	
△	Description	General Tolerances	
△	Appr.	Dimensions	
△		Angles	
△		Heat Treatment	
△		Hardness	
△		Plating	

MIYOTA
CITIZEN WATCH CO., LTD. TOKYO, JAPAN

ZUW02U1700 (13:17:19)

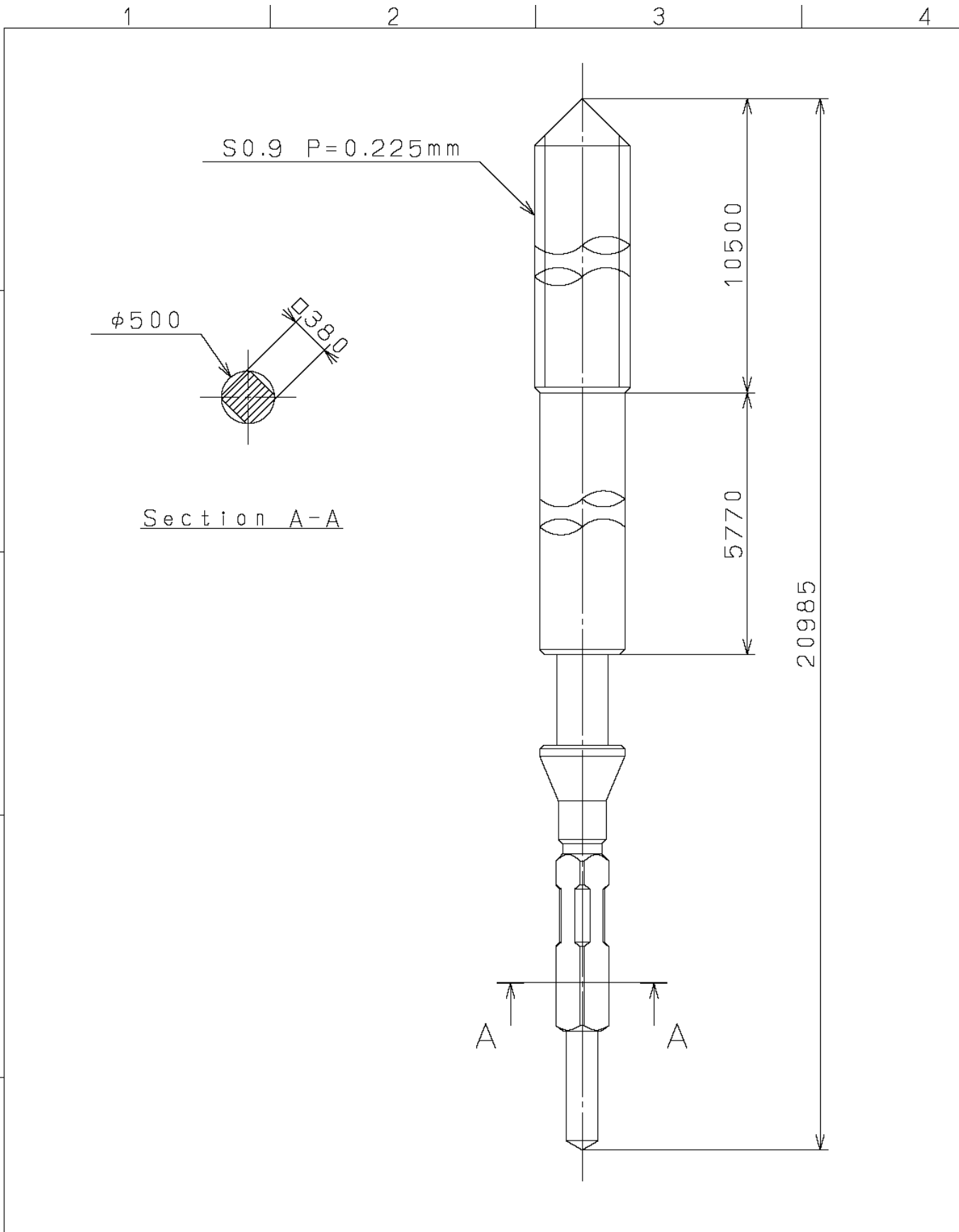
This drawing is provisional and subject to our reconfirmation and/or revision without notice.



△			Quantity		Cal.NO.:	
△			Unit	1/1000mm	GP52-00A	
△			Scale		Parts No.:	
△			Date			
△			Drawn			
Mark	Date	Description	Appro.	Checked	M. Fukuda	Name:
Alterations			Approved			Indications for Dial
Material					Drawing No.:	GP52D0AS
Heat Treatment					General Tolerances	MIYOTA
Hardness					Dimensions	
Plating					Angles	
						CITIZEN WATCH CO., LTD. TOKYO, JAPAN

This drawing is provisional and subject to our reconfirmation and/or revision without notice.

ZUUVU2/U1 U17:U7:327



△			Quantity			Cal.NO.:
△			Unit	1 / 1000 mm		
△			Scale			Parts No.:
△				Date	Name	065-992
△			Drawn			
Mark	Date	Description	Appr.	Checked	M. Fukuda	Name:
Alterations			Approved			SETTING STEM
Material					Drawing No.: 9920S000	
Heat Treatment					General Tolerances	
Hardness					Dimensions	
Plating					Angles	
MIYOTA						
CITIZEN WATCH CO., LTD. TOKYO, JAPAN						